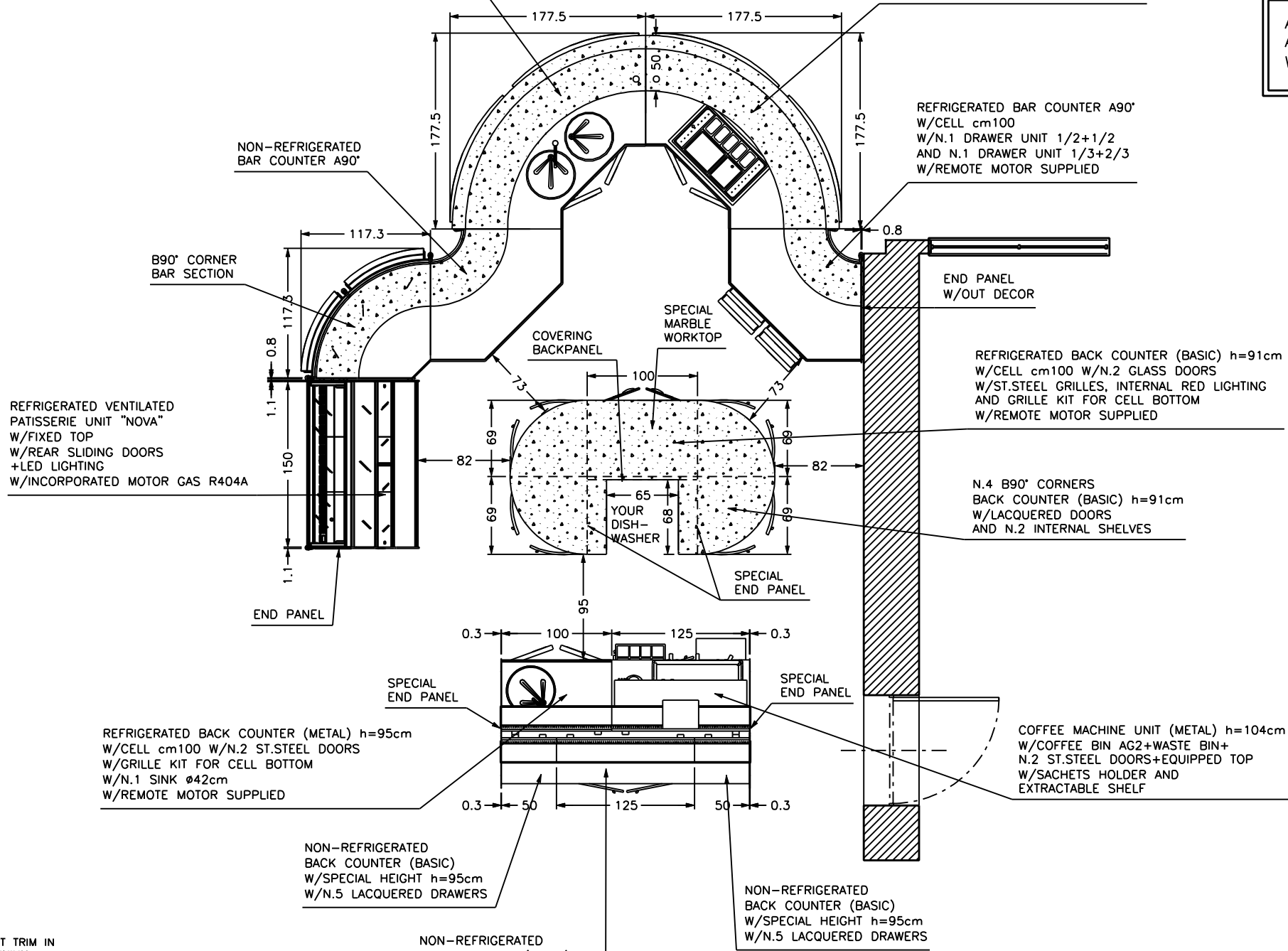


ATTENTION!!!!
SPECIAL VOLTAGE 110V/60Hz

REFRIGERATED BAR COUNTER B90°
W/CELL cm100 W/N.2 ST.STEEL DOORS
W/GRILLE KIT FOR CELL BOTTOM
W/N.2 SINKS ø42cm
W/REMOTE MOTOR SUPPLIED
W/SERVING W/SPECIAL DEPTH cm50

REFRIGERATED BAR COUNTER B90°
W/CELL cm100 W/N.2 ST.STEEL DOORS
W/GRILLE KIT FOR CELL BOTTOM
W/TANK FOR APERITIFS VA2
W/REMOTE MOTOR SUPPLIED
W/SERVING W/SPECIAL DEPTH cm50

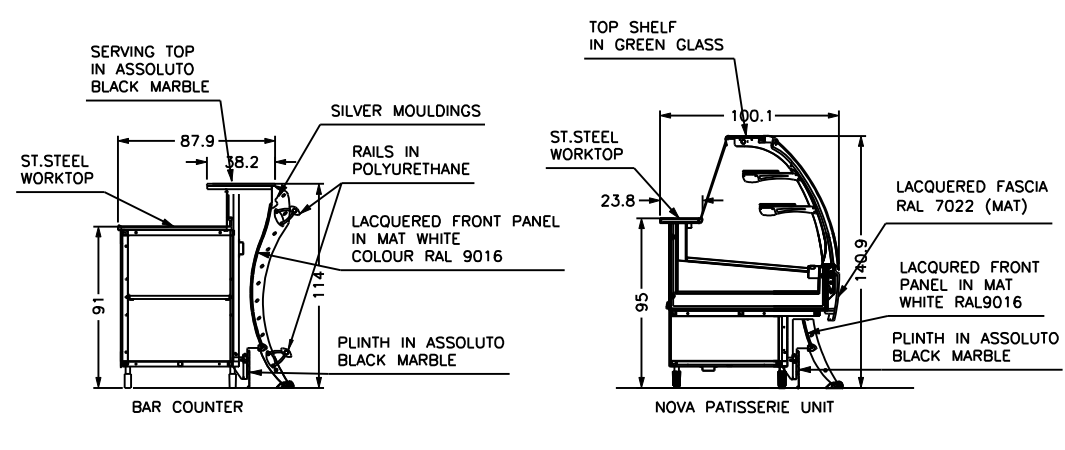
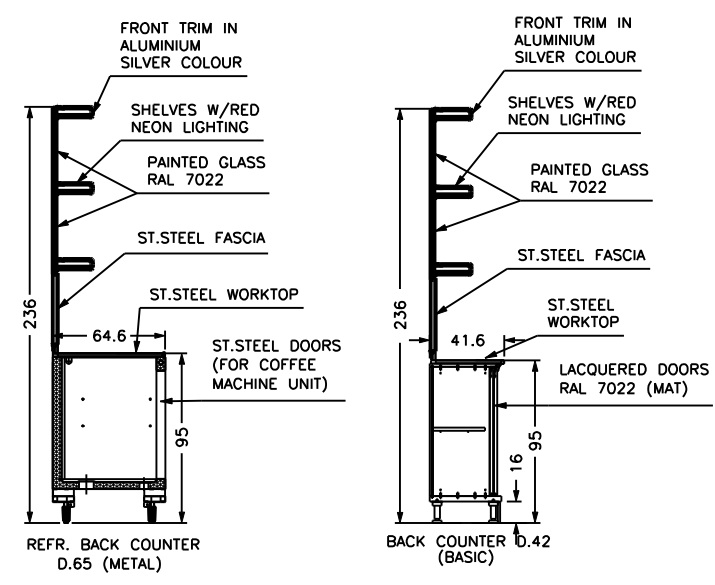
ATTENTION!!!!
ALL THE BAR COUNTERS
W/ST.STEEL PLINTH IN OPERATOR SIDE



ATTENTION!!!!
REFRIGERATED UNITS
W/COMPONENTS
W/UL APPROVAL

REMOTE MOTOR (MAX DISTANCE 10mts.)
FOR 5 REFRIGERATED UNITS:
-N.2 REFRIGERATED BAR COUNTERS B90°
-N.1 REFRIGERATED BAR COUNTER A90°
-N.2 REFRIGERATED BACK COUNTERS cm100

COPY TO SEND US BACK SIGNED
FOR AGREEMENT OF THE PROJECT
AND RELEVANT DIMENSIONS



File name BRIGHT03-06_R4		Client BRIGHT LTD	
Date 03/06/2010	Last modified 29/06/2010	Line DOCKS TWIN	
Designed by F.RIGHI	Scale 1:50	Front panel colour LACQUERED MAT WHITE RAL 9016	
 PESARO - ITALY		Serving top ASSOLUTO BLACK MARBLE (2° GROUP)	
		Plinth ASSOLUTO BLACK MARBLE (2° GROUP)	
		Decorative optional W/RAILS IN POLYURETHANE	
		Condensing units INCORPORATED (FOR NOVA) AND REMOTE SUPPLIED (MAX DISTANCE 10 Mts.)	
Back counters RAMSES		Footboard NOT SUPPLIED	
Reference OVE		Reference REF. "LE PREBEN"	